

D TYPE RUBBER FENDER SIZES SPEC.

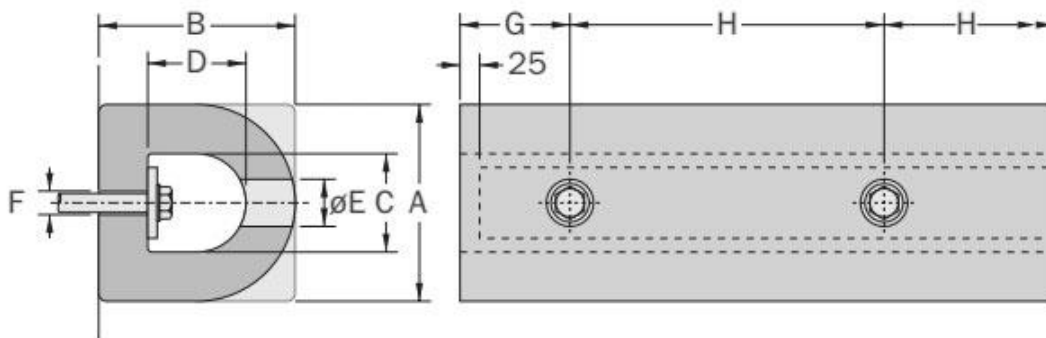
Superior Guarantee, Supreme Guard

NANHAI is the international leading marine fender manufacturer with 20 years in fender production. NANHAI Rubber Fender design and manufacture according to PIANC 2002.



D Type (DD) Rubber Fender Size Specifications

SPEC.	A (mm)	B (mm)	C (mm)	D (mm)	ΦE (mm)	ΦF (mm)	G (mm)	H (mm)	Bolt Size
DD80	80	70	45	30	30	15	90-130	200-300	M12
DD100	100	100	50	45	30	15	90-130	200-300	M12
DD125	125	125	60	60	40	20	110-150	250-300	M16
DD150	150	150	75	75	40	20	110-150	250-300	M16
DD200	200	150	100	80	50	25	130-180	300-400	M20
DD200	200	200	100	100	50	25	130-180	300-400	M20
DD250	250	200	125	100	60	30	140-200	350-450	M24
DD250	250	250	125	125	60	30	140-200	350-450	M24
DD300	300	300	150	150	60	30	140-200	350-450	M24
DD350	350	350	175	175	75	35	140-200	350-450	M30
DD380	380	380	190	190	75	35	140-200	350-450	M30
DD400	400	300	175	150	75	35	140-200	350-450	M30
DD400	400	400	200	200	75	35	140-200	350-450	M30
DD500	500	500	250	250	90	45	160-230	400-500	M36



SHANDONG NANHAI AIRBAG ENGINEERING CO.,LTD.

NO.5608 Shuangshan North Road,Zhangqiu District,Jinan City, Shandong,China.

www.nhfoamfender.com | + 86 531-88723323 | info@airbag.cc

D TYPE RUBBER FENDER SIZES SPEC.

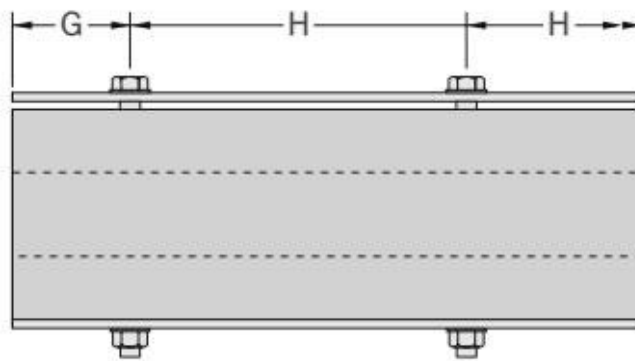
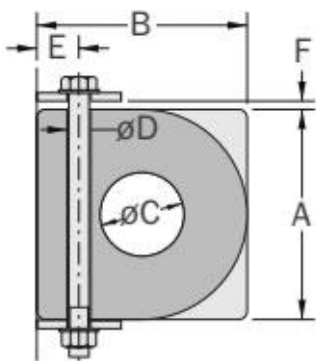
Superior Guarantee, Supreme Guard

NANHAI is the international leading marine fender manufacturer with 20 years in fender production. NANHAI Rubber Fender design and manufacture according to PIANC 2002.



D Type (DO) Rubber Fender Size Specifications

SPEC.	A (mm)	B (mm)	ΦC (mm)	ΦD (mm)	E (mm)	F (mm)	G (mm)	H (mm)	Bolt Size
DO100	100	100	30	15	25	10	90-130	200-300	M12
DO150	150	150	65	20	30	12	110-150	250-350	M16
DO200	200	200	75	25	45	15	130-180	300-400	M20
DO250	250	250	100	30	50	20	140-200	350-450	M24
DO300	300	300	125	30	60	25	140-200	350-450	M24
DO350	350	350	150	35	70	25	140-200	350-450	M30
DO400	400	400	175	35	80	30	140-200	350-450	M30
DO400	400	400	200	35	80	30	140-200	350-450	M30
DO500	500	500	250	35	100	30	140-200	350-450	M36



SHANDONG NANHAI AIRBAG ENGINEERING CO.,LTD.

NO.5608 Shuangshan North Road,Zhangqiu District,Jinan City, Shandong,China.

www.nhfoamfender.com | + 86 531-88723323 | info@airbag.cc